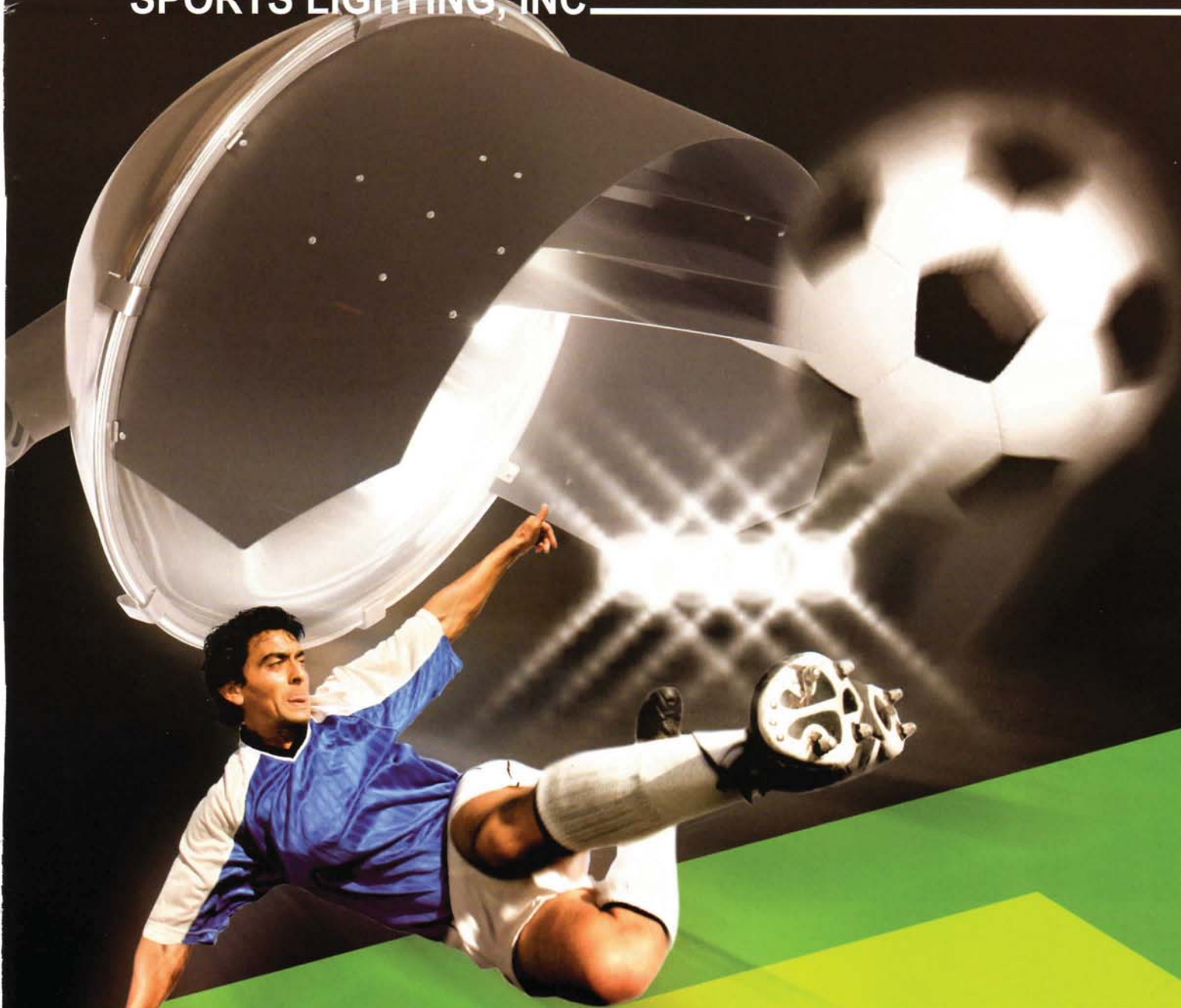


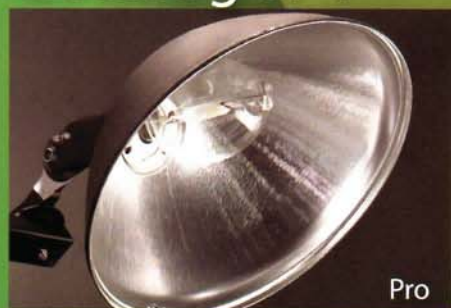
Qualite®

SPORTS LIGHTING, INC.



SPORTS LIGHTING SYSTEMS
Catalog R-1

www.qualite.com



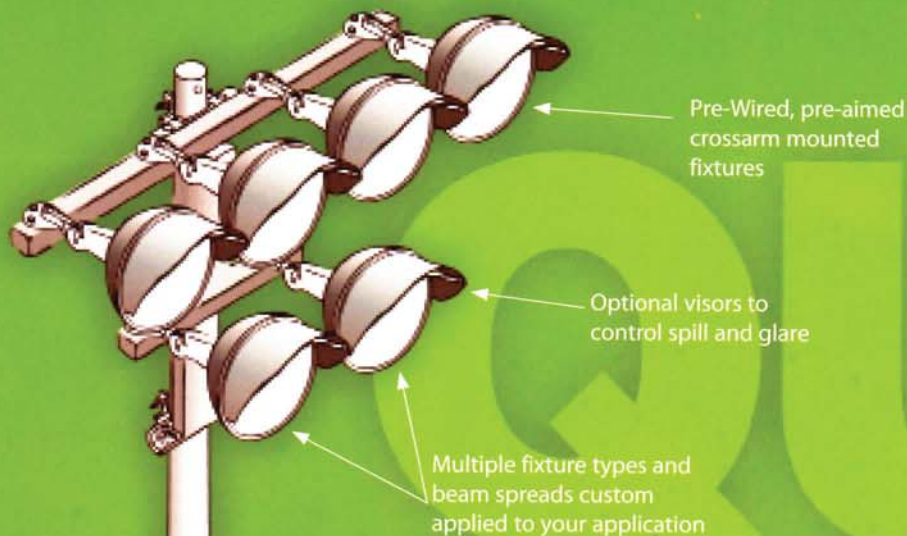
Pro



Gold



International



Qualite Sports Lighting located in Hillsdale Michigan is a part of the Shane Group, Inc. The Shane Group is currently comprised of eight diversified corporations involved in the manufacturing of sports lighting (Qualite), field turf (Athletic and Recreation Products), playground equipment (Recreation Creations), prefabricated public restrooms and more (Biological Mediation Systems), metal fabricating and site furnishing (Ripco), pipe, valve and fitting distribution (Curtis Marketing), the distribution of electrical and plumbing (American Copper and Brass) and shelters and park benches (Site and Park Amenities).

Qualite started out by purchasing the separate components and selling a pre-aimed, pre-wired sports lighting system. Having used a number of different lighting fixtures, we knew where the short-comings were and decided to create our own optical design that could provide the needed beam spreads for sports lighting without sacrificing fixture efficiency. In the late 80's, the Pro Series was created with great success. With the patented Pro Series reflector, a greater variety of beam spreads was created that matched the light to the size and shape of a specific athletic field. We were seeing a 25% reduction of fixtures from prior technology and a reduction of fixtures with this new design.

In the early 90's, Qualite made another breakthrough with the development of the Pro-Series 45 (PS-45). By using a 45° off-axis design along with the Pro Series optic design, tilt factors were reduced significantly, along with more control of the light and increased over-all efficiencies. The new PS-45 had inherent spill control but could be coupled with a new external visor for unbeatable spill control.

As time went on, the sports lighting world was putting more emphasis on lighting control. The elimination of spill light and up light was, and still is a hot topic. Qualite went to work and developed the International Series. The optics on the International Series are different than any other fixture out there. The total efficiencies and spill control were and still are unbeatable. The International Series uses a long life double ended 1500 watt or 2000 watt lamp mounted horizontally, completely eliminating tilt factor.

The performance differences between the International and Pro-45 Series were very substantial. The uniformities (smoothness) achieved with the Pro-45 Series on lower light levels and smaller fields like little league fields, recreational fields, high school fields, etc, is fantastic. The efficiencies, spill control and uniformities on larger and higher light level fields achieved by the International Series is unbeatable, but there was a need to fill in the gap between the two.

The Gold Series was then created to fill in this gap. It has the optics of the Pro Series with a specular finish for gained efficiencies and can be coupled with a larger visor for greater spill control than the Pro Series.

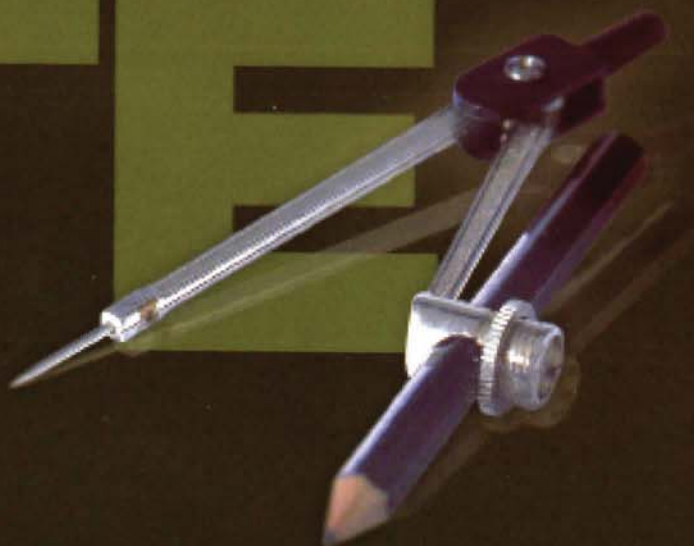
With the Pro-45 Series, Gold Series, and the International Series, Qualite can meet almost any application need. We have been involved with many special need projects from extremely low light trespass criteria to Wright Patterson and Hickam Air Force bases security lighting and everything in between.

Qualite provided abrasion resistant PVC jacketed color coded wire harness with quick slide disconnects for simple mistake free installations.

Remote mounted, factory wired ballast assemblies making installation and maintenance easy. Plus our maintenance diagnostic system makes trouble shooting outages simple and safe with the power off.



LITE



Qualite computer engineered layouts will provide comprehensive information for the specified field or area. Exact pole heights, locations and EPA's will be provided along with fixture aiming, beam types, wattage, total power load and more job specific information.

Qualite is a member of the Illuminating Engineering Society of North America (IESNA) and utilizes their recommendations within our designs. Qualite is a highly effective tool for the engineer in figuring out the best solution for whatever the challenge may be.

With the computer engineered layouts, multiple fixture series options and beam spread options, we can guarantee the most efficient and most uniform lighting design available.

Qualite offers flexibility with the design. In recent years, the push towards energy conservation has spurred the development of a more economical lighting design strategy. This new strategy compromises with traditional design criteria, but complies with the IESNA's recommendations, and provides a good lighting design while saving the customer money in the long run on energy.

Qualite's trained Sales Representatives can help transform your ideas from a dream project into the reality of "turning on the lights".

Pro Series



Pro-Series

Features:

- Pre-aimed/pre-wired system.....Saves installation costs and assures that you get the best aiming strategy with your system
- Efficient Semi-Specular Optics..... Smoother light and less fixtures
- 5-Optimum beam shapes.....Greater utilization of the light, smoother results
- 3-Optional wattages..... Design Flexibility (too low wattage = too many fixtures; too high wattage = spotty lighting)
- Optional 10" external Visor.....Control of spill lighting and glare
- Spring loaded vertical aiming repositioning..... For ease of maintenance
- Photometrics available with EYE, GE and Venture lamps.....Non-Proprietary components

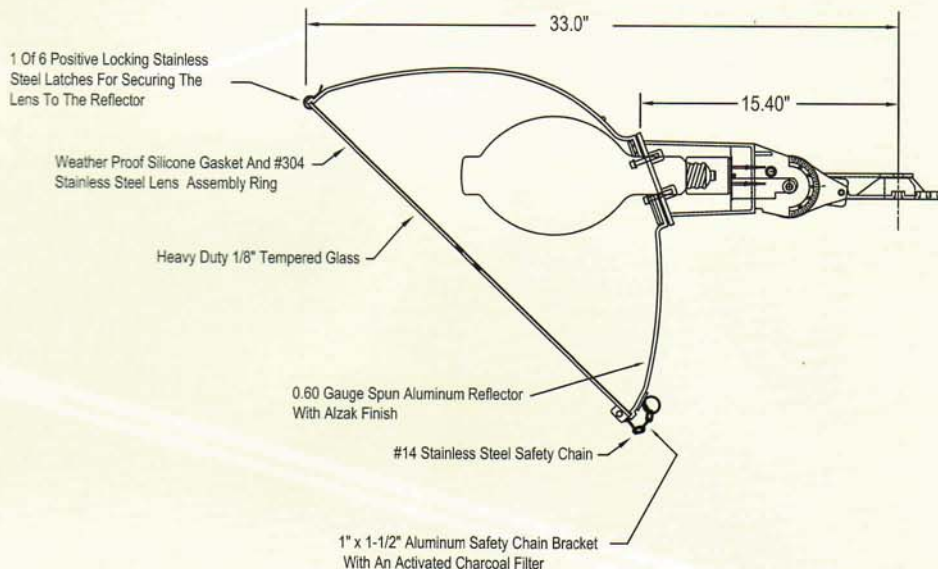
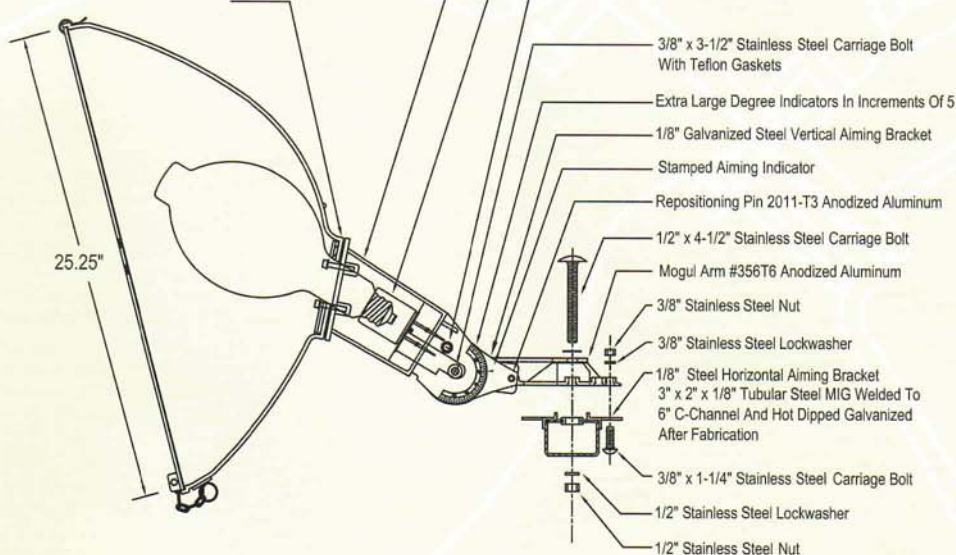
Benefits:



Pro-Series Visored (Pro-V)

Stainless Steel Cap Screws To Secure Reflector To Mogul Housing
 UV Stable High Temperature Silicone Gasket That Won't Break Down Under Heat Or Weather
 Compressed Fiber Centering Ring To Center Lamp And Provide Thermal And Vibration Protection
 10 Gauge Mechanically Plated Steel Support Ring

Precision Machined 356T6 Anodized Aluminum Casting
 Mogul Base Porcelain Socket, 5KV Pulse Rated With Mylar Coated Leads For Abrasion Resistance
 3/8" x 2" Stainless Steel Carriage Bolt For A Secure Positioning Lockdown Of The Vertical Aiming Bracket



Specifications:

25" tempered glass lens

Spun aluminum reflector with semi-specular finish

Charcoal filter

Horizontal and vertical aiming indicator preset to exact aiming angles required

Optional 10" external visor with 2 glare baffles

Available in 1000, 1500 and 1650 watt single ended EYE, GE or Venture lamps

Beam patterns from NEMA 2x2 - 5x4

High power factor, constant-wattage autotransformer, copper wound and 100% factory tested

U.L. listed system - suitable for wet locations. All U.L. listed components



Gold Series

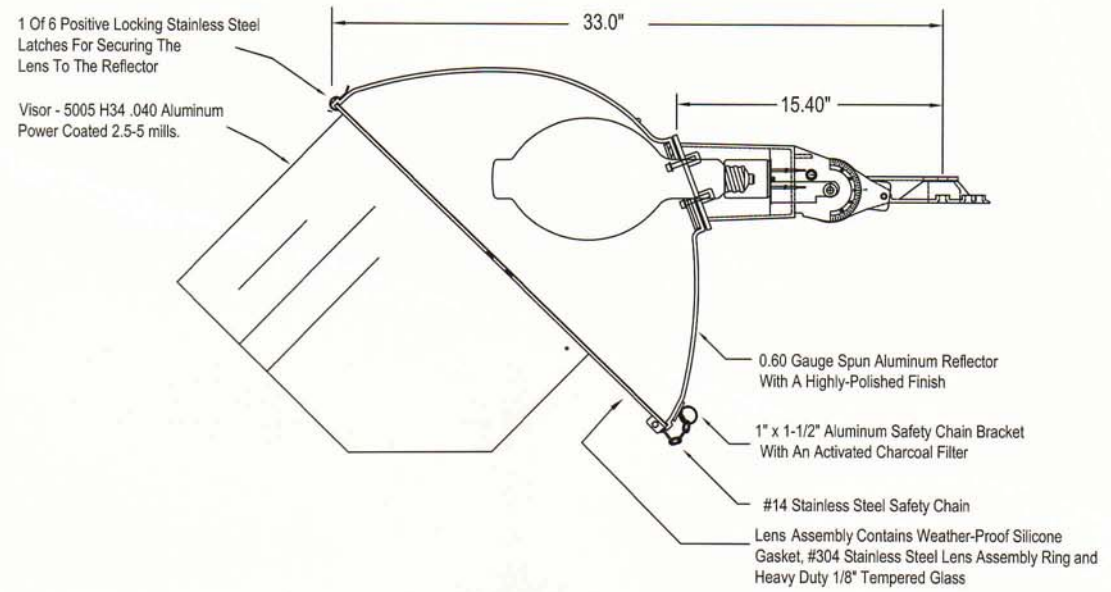
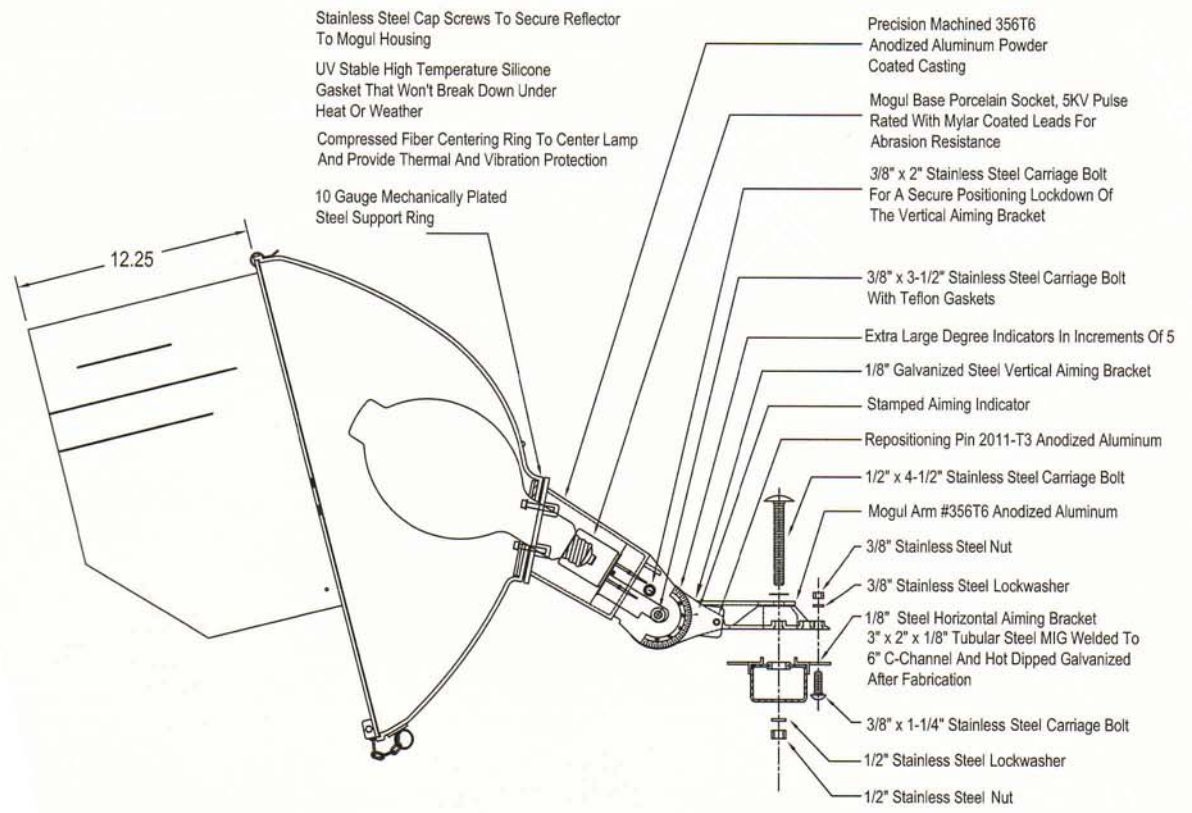


Features:

Pre-aimed/pre-wired system.....
Highly Specular, Efficient Optics.....
5-Optimum beam shapes.....
3-Optional wattages.....
Optional 12" external Visor.....
Spring loaded vertical
aiming repositioning.....
Photometrics available with
EYE, GE and Venture lamps.....

Benefits:

Saves installation costs and assures that you get the best aiming strategy with your system
Less fixtures, more light
Greater utilization of the light, smoother results
Design Flexibility (too low wattage = too many fixtures; too high wattage = spotty lighting)
Increased spill light and glare control
For ease of maintenance
Non-Proprietary components



Specifications:

25" tempered glass lens

Spun aluminum reflector with specular polished finish

Charcoal filter

Horizontal and vertical aiming indicator preset to exact aiming angles required

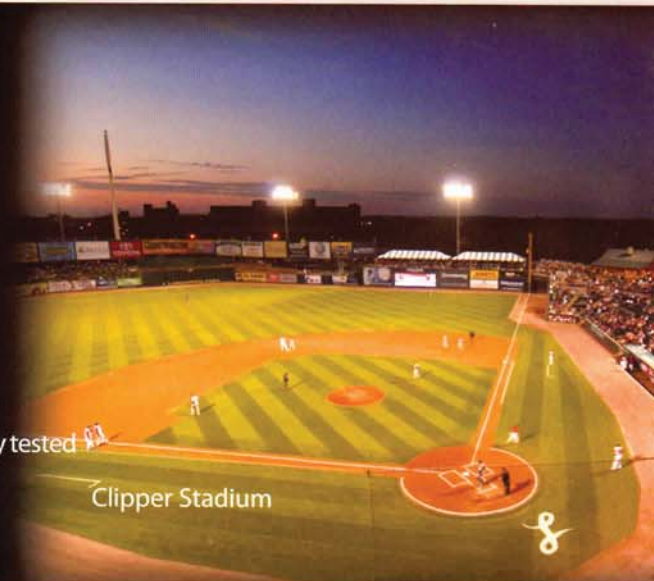
Optional 12.25" external visor with 3 glare baffles

Available in 1000, 1500 and 1650 watt single ended EYE, GE or Venture lamps

Beam patterns from NEMA 1x2 - NEMA 4x4

High power factor, constant-wattage autotransformer, copper wound and 100% factory tested

U.L. listed system - suitable for wet locations. All U.L. listed components



International



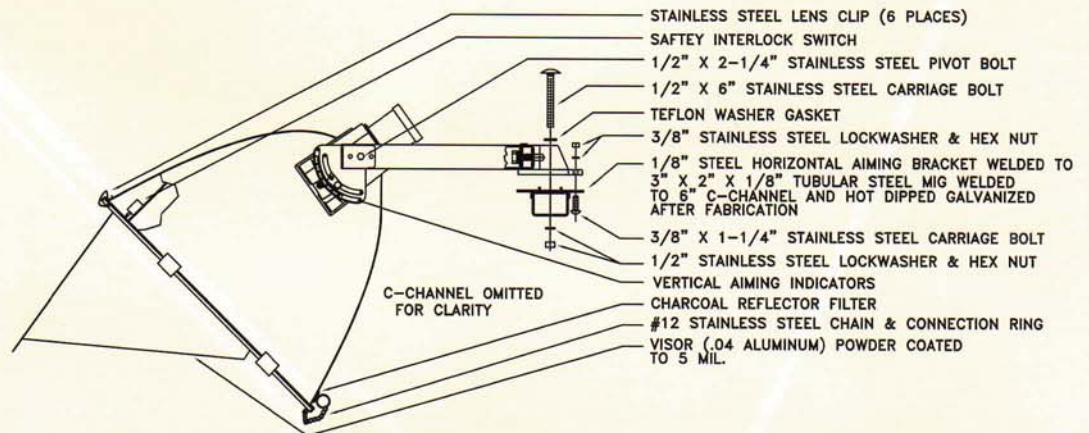
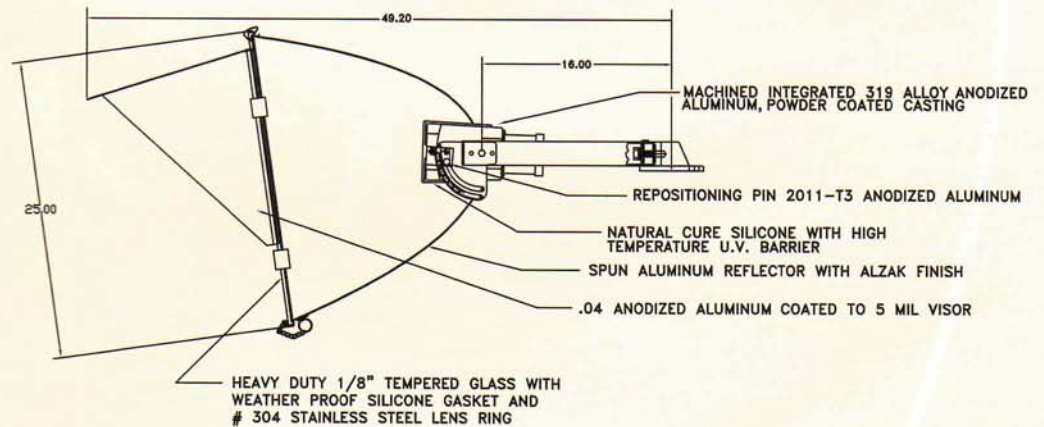
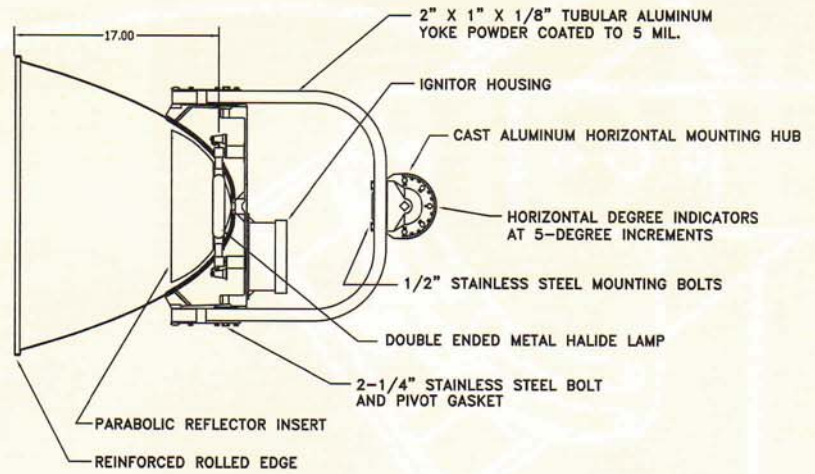
Features:

Pre-aimed/pre-wired system.....
Unique optical design.....
5-Optimum beam shapes.....
2-Optional wattages.....
External Visor.....
Spring loaded vertical
aiming repositioning.....
Horizontally mounted
double ended lamps.....

Benefits:

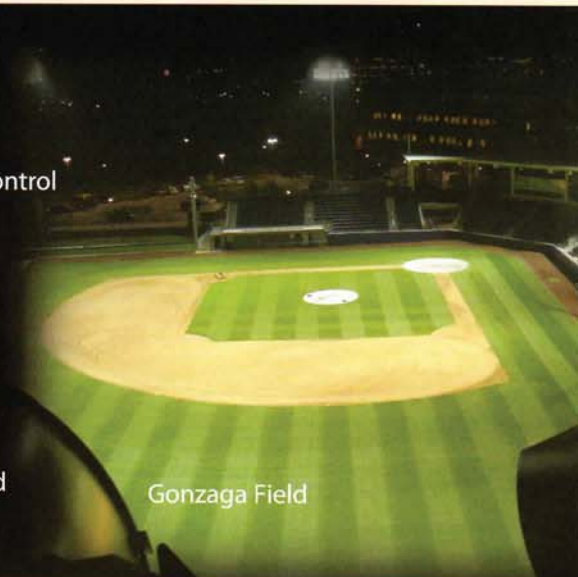
Saves installation costs and assures that you get the best aiming strategy with your system
Greatest fixture efficiency
Greater utilization of the light, smoother results
Design Flexibility
The best spill light and glare control in the industry
For ease of maintenance
No tilt factor and longer lamp life - up to 6000 hours

Series



Specifications:

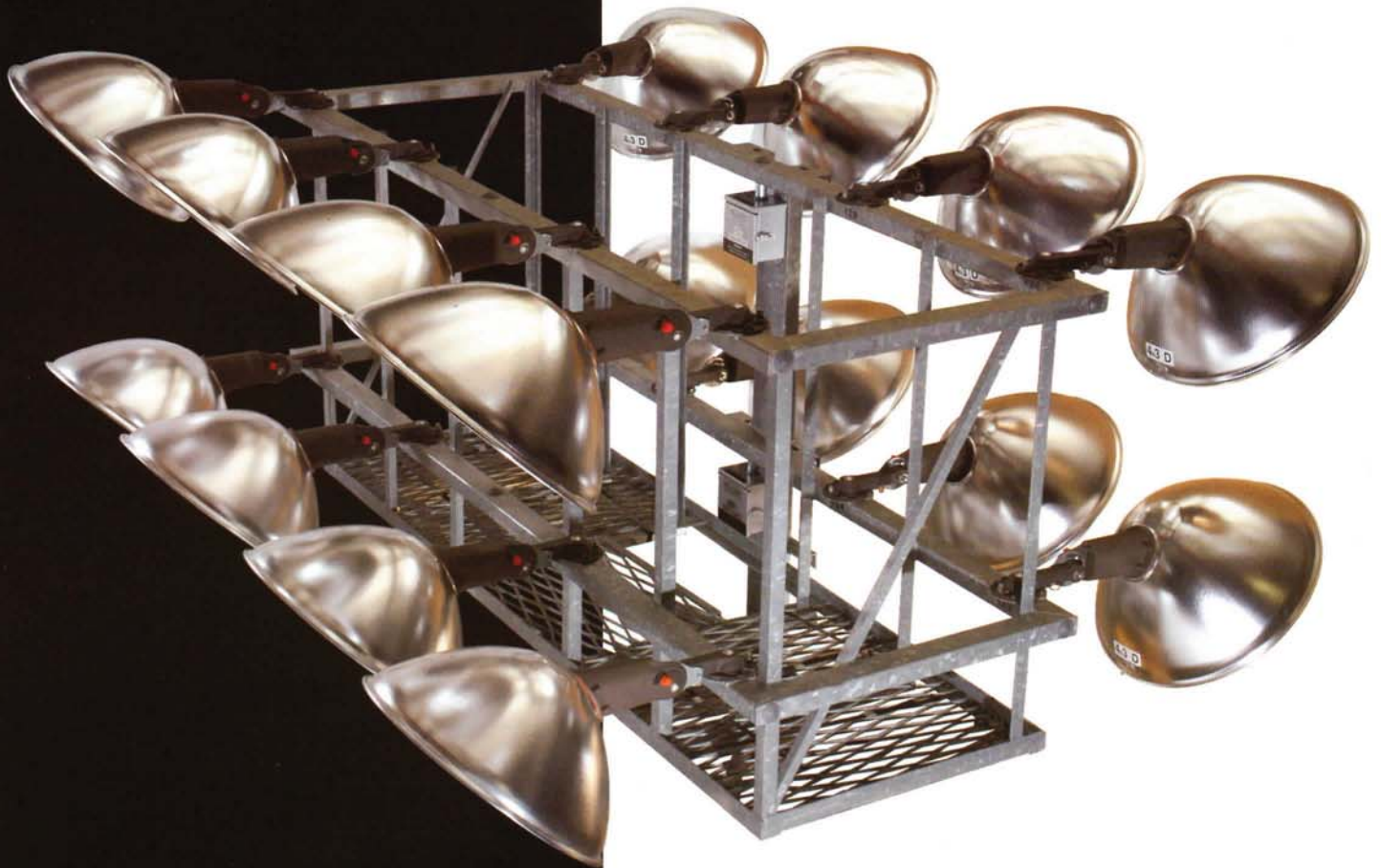
- 25" tempered glass lens - clear, fluted and ribbed options
- 17" deep optical design creating a "tunnel lighting" effect for unparallel efficiency and control
- Specular Parabolic increases the light utilization
- Charcoal filter
- Horizontal and vertical aiming indicator preset to exact aiming angles required
- 2 styles of 14.5" external visor - standard and extreme cut-off
- Available in 1500 and 2000 watt double ended lamps - up to 6000 hours lamp life
- Beam patterns from NEMA 4x2 - NEMA 4x4
- High power factor, constant-wattage autotransformer, copper wound and 100% factory tested
- U.L. listed system - suitable for wet locations. All U.L. listed components



Poles

Service Platforms

8', 12' and 17' sizes to accommodate our cross-arm sizes back-to-back for common poles



Pole Features:

Steel Features:

- Light weight.....
- Mounting Options:.....
 - Direct Buried with mastic coating.....
 - Anchor Base.....
 - Stub Base.....

Concrete (direct buried):

- Lifetime warranty.....
- One piece construction.....
- Minimized vibration and deflection.....

Benefits:

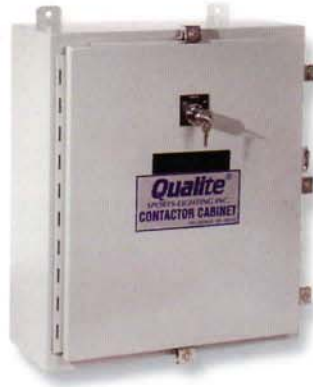
- Potentially lower installation costs and lower shipping costs
- Flexibility to fit your needs
- Easy installation with protection from corrosion
- Foundations can be ready when the poles arrive
- Can be installed in phases

- No maintenance worries
- No assembly time risks
- Longer lamp life

Components

Lighting Controls

Qualite Contactor Cabinet
 Customized for each project
 ReQuests and Monitoring
 Unlimited wireless control via keypad, phone, or computer



Rotary Disconnects
 Clean looking and reliable pole mounted controls



Emergency And Egress Systems

Quartz Mini Spot-Lighter

Robust quartz fixture with optimized photometry that can be trusted at the top of the pole

QEB

(Qualite Emergency Backup) Inverter systems

Qualite Insta-Light integral quartz system

Fixtures fitted with a momentary power loss safety feature. An instant strike quartz lamp works in conjunction with an optocoupler to provide egress illumination until the metal halide lamps are back up to acceptable levels

Warranties:

Standard Warranty..... 10 years on the luminaire assemblies and alignment, 2 years on lamps

10 year comprehensive warranty..... 10 years full coverage on the luminaire assemblies and lamps and a complete lamp change at the end of lamp life

25 Year Comprehensive Warranty..... 25 years full coverage on the luminaire assemblies and lamps and a complete lamp change at the end of lamp life

Custom Warranty..... You write it, we'll cover it

MDS- Maintenance Diagnostic System
 Power off system trouble shooting



ReQUEST™

Programmable Remote Control System



TECHNICAL DATA

- Dimensions: 14" x 12" x 8"
- Weight: approximately 21 lbs.
- NEMA 3,4,4X metallic enclosure for outdoor use
- Operating Frequency: 929-932 MHz
- Switching type, non-linear power supply to survive power drops and surges
- Supply Voltage: 110 VAC/Hz (Standard) 220 VAC/60Hz (Optional)
- Operating Temperature: -20° C to 70° C (-4° to 158° F)
- Current Draw (outputs off) 285ma

Simple touch-tone commands from any touch-tone phone, or PC phone modem, puts you in control of all your sports and recreational facility lighting, as well as other electrically controlled systems. Qualite's ReQUEST is a state-of-the-art wireless remote control system, sending and receiving data via a sophisticated land and satellite communications infrastructure. An operating program is included, however, the system can also be interfaced with new or existing facility scheduling reservation software, or supplied with a software package.

1a

Automation of the ReQUEST System is achieved by the utilization of software installed on a PC at the customer's site. Central control, automation and reporting for all units installed can be achieved by this method.

2

The RCU commands are sent over standard telephone lines from any telephone/cellular or computer modem to a ReQUEST wireless service provider.

The wireless service provider then sends the commands to the ReQUEST RCUs (wirelessly), with virtually no boundary or distance limitations imposed on the wireless signals.

3b

The RCUs are located at the switch-gear (circuit breakers, lighting contactors, etc.) with the various zones of the RCU wired to the appropriate lighting contactors, relays, etc.

The RCU includes switches (Off-Auto -On) which are capable of controlling the zones directly if manual control is desired.

4

The heavy duty, vandal resistant keypad can be mounted anywhere.

The keypad is mounted near the RCU, yet accessible to the public (if the RCU is not) and wired to the RCU with cable supplied by Qualite.

1b

A standard or cellular telephone may be used to send commands to the Remote Control Units (RCUs).

This method of control utilizes TeleDirect operating command set and can be initiated by any telephone/cellular at any location.

3a

The commands are received wirelessly and processed by the RCU's on-board computer. Then, at the appropriate date and times dictated by the commands, the RCU switches power (on or off) to the independent zones of sports lighting, parking lot or security lighting, or other electrical equipment controlled by the RCU.



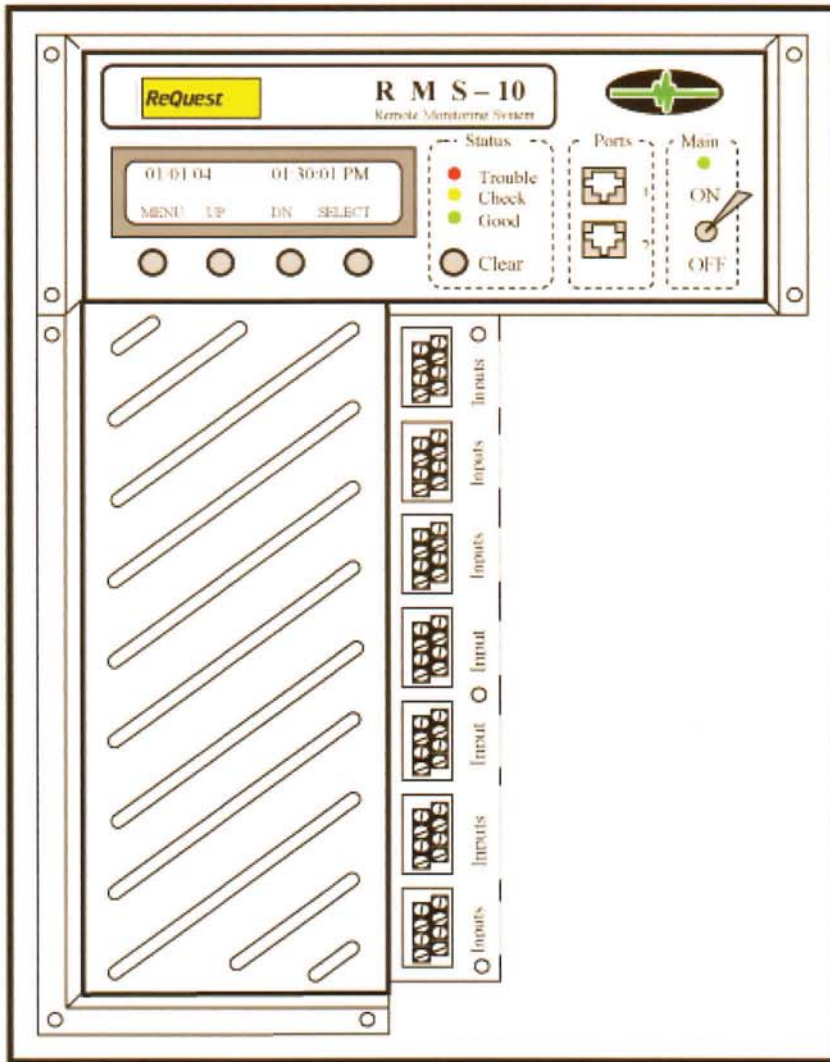
Graphical Overview

Features/Options

- Control and/or automate your sport lighting requirements from your on-board centrally located PC
- Sports lighting is switched on and off based on customer reservations of the facilities/fields and/or specific scheduled blocks of time with optional passcodes
- Personal station software—no internet or third party scheduler involved
- Wireless communication at the ReQUEST unit allows for remote field installations
- Multiple zone capability with independent zone control or group zone control
- Control field/security/parking lot/restroom lighting, electric door locks, etc.
- ReQUEST can be integrated with existing facilities reservation or scheduling software packages
- Automatically updated for changes in daylight savings and varying sunrise and sunset times
- Simple dial-up touch-tone control override
- Remotely turn off the sports lighting on any one of your fields or parks in cases of no shows, rainouts, snowouts, or early-terminating games, with a simple call from any touch tone phone
- The keypad control enables confirmed use of a field before the lights will turn on, whereby the user enters an access code indicating that he/she is at the site
- Reports showing light usage by park, field and user/customer for re-lamping, maintenance and billing purposes

RMS-10

Remote Monitoring System



Dimensions: (H) 16" x (W) 14" x (Deep) 7"

RMS-10 is an electrical monitoring system that gives you the ability to monitor the electrical components and systems of your sports and recreational facilities lighting, and other electrical systems. To assist in remote troubleshooting, the RMS-10 system will monitor 'hand-off-auto' switch status and position, voltage and current of the system to determine status of circuit breakers, lighting contactors, lamp/ballast outages, power failures, etc. The RMS-10 system may be utilized as a stand-alone system or in conjunction with the ReQuest wireless remote control system and is easily expandable to accommodate electrical and lighting systems of any size. The RMS-10 system utilizes the internet web to view the system components being monitored and receive the feedback reports. Alarms generated by the RMS-10 system can be sent to various reporting stations including a telephone.

Qualite[®]
SPORTS LIGHTING, INC.



QCC Qualite Control Cabinet

Control individual poles or an entire sports complex

Qualite's factory-built Control Cabinet (QCC) is designed to meet specific sports lighting requirements, offering the flexibility to switch on a single field or a multi-field complex. The UL listed QCC utilizes only listed or recognized components and is built by a UL listed panel builder. Rugged NEMA type 4 enclosure seals out contaminants, and protects all electrical components to make the cabinet suitable for mounting inside or out. Manual control is provided by keyed or standard selector switches without keys. Push button switches are available.

Features/Options

- Nothing to assemble in the field
- Designed to meet individual field or sports complex configurations
- QCC can be pre-wired to interface with ReQUEST, Qualite's wireless controls
- Optional timing controls
- 30A, 60A, 100A contactors are standard
- Contactors are rated up to 480v
Control power standard 120v
- Covered under the Qualite system warranty for 10-25 years.

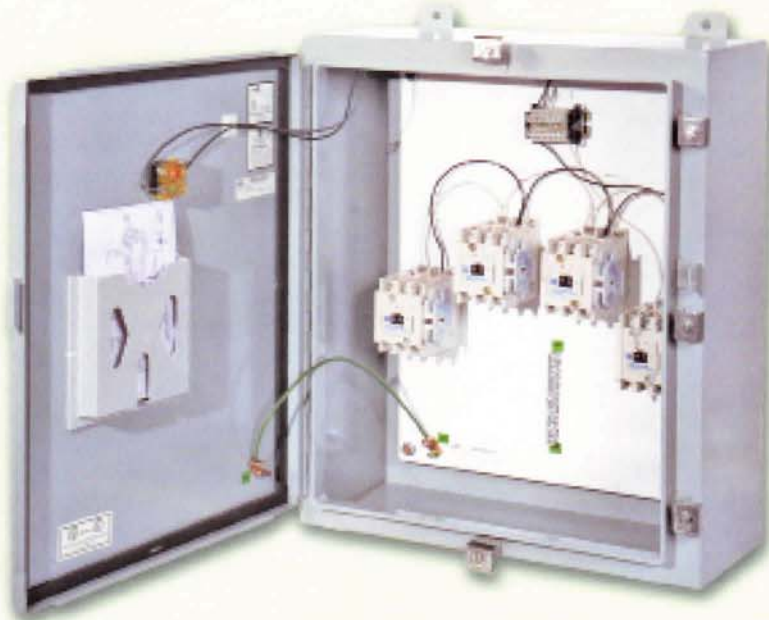


TECHNICAL DATA

- Cutler-Hammer IEC freedom series contactors
- Cutler-Hammer heavy duty oil-tight 3 position keyed switch
- 14 gauge galvanized with ANSI 61 gray polyester powder coating
- NEMA type 4
- AWG 15-1/0 terminal blocks for pole feeds (when needed)
- 13 circuit ground bar AWG 26-10

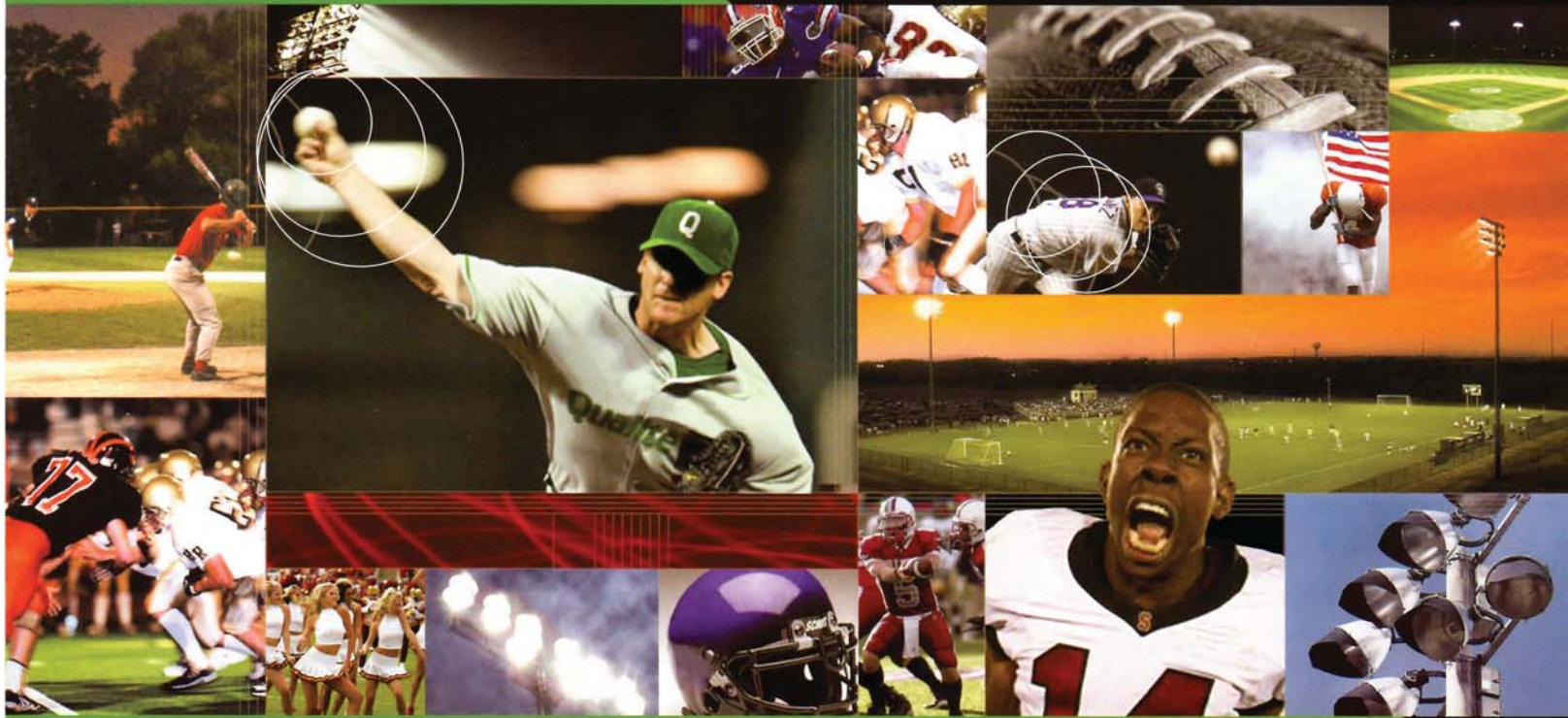
INDUSTRY STANDARDS

- UL/CUL 508 Type 4, 12 and 13
- NEMA Type 4, 12 and 13
- IEC 529, IP 66



Qualite[®]
SPORTS LIGHTING, INC.





Qualite[®]
SPORTS LIGHTING, INC
1-800-933-9741

250 Industrial Drive
P.O. Box 765
Hillsdale, MI 49242
Phone: (517) 439-1581
Fax: (517) 439-1194
www.qualite.com



ISO 9001-2000 &
ISO 14001-2004(E) Certified